



# MyDomestic

This is a personal lift that can be installed either in homes or at the workplace. The hydraulic equipment is exclusively designed for carrying people, providing an unprecedented level of comfort. Furthermore we guarantee a maximum of safety with reference to European Standards 81.41

- **Advantages**

**Maximum safety:** we have extensively studied its structure in order to guarantee the lift safety levels.

**Decorative adaptability:** The Domestic Lift can provide the same decoration as any other lift (car model, automatic doors, etc.). See MyDomestic Catalogue.

**Single-phase:** possibility of connection to a 220 V singlephase plug.

**Optimisation of space:** takes advantage of up to 80% of the shaft for the lift car.

**Emergency:** we have equipped it with a rescue system that makes it possible to evacuate people in the event of a power failure.



• Technical characteristics:

<b>Nominal speed</b>	0,15 m/s
<b>Nominal load</b>	To 500 kg
<b>Output</b>	4300 W
<b>Minimum headroom</b>	2.300 mm. <sup>(1)</sup>
<b>Minimum pit</b>	100 mm. <sup>(2)</sup>
<b>Travel</b>	24 m.

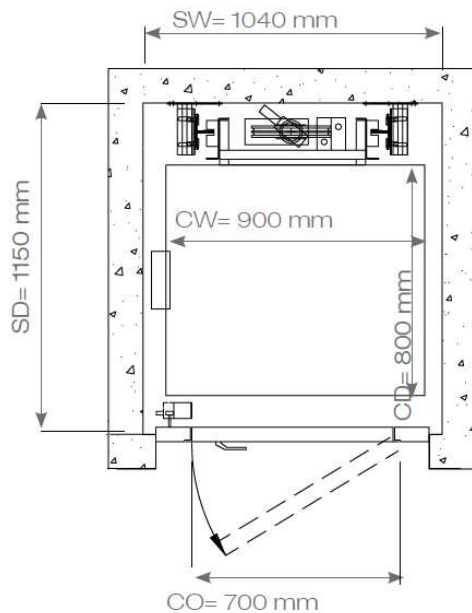
<sup>(1)</sup>In case the car is supplied without doors.

<sup>(2)</sup>Up to 385 kg, minimum pit 100 mm . For 400 kg, 450 kg and 500 kg, minimum pit 200 mm.

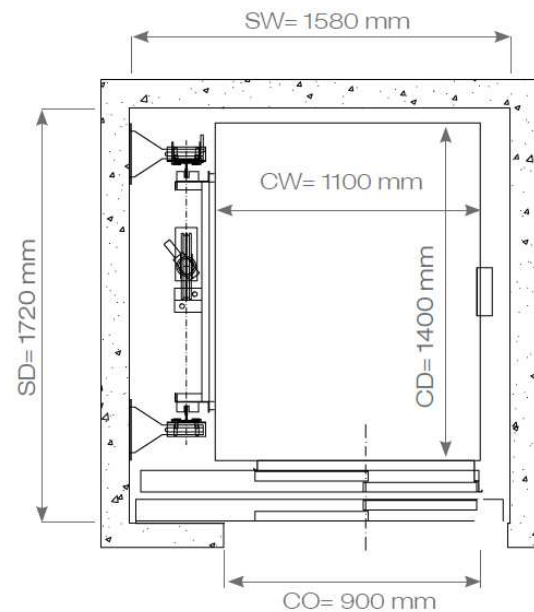
Obligatory prefabricated cupboard or Machine room.

Q (kg)	Surface
180	0,72 m <sup>2</sup>
225	0,90 m <sup>2</sup>
300	1,20 m <sup>2</sup>
350	1,40 m <sup>2</sup>
385	1,54 m <sup>2</sup>
400	1,60 m <sup>2</sup>
450	1,80 m <sup>2</sup>
500	2,00 m <sup>2</sup>

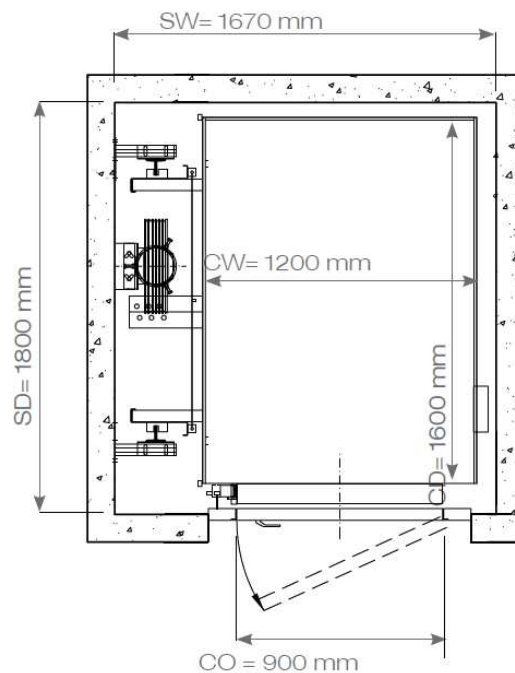
• Q180 (900 x 800 mm) 0,72 m<sup>2</sup>



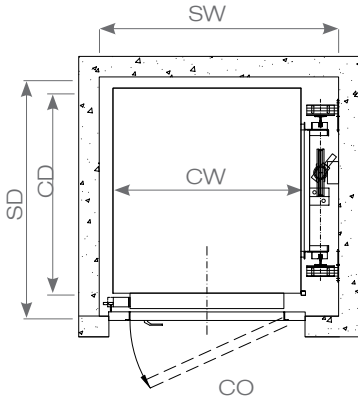
• Q385 (1100 x 1400 mm) 1,54 m<sup>2</sup>



• Q500 (1200 x 1600 mm) 2,00 m<sup>2</sup>



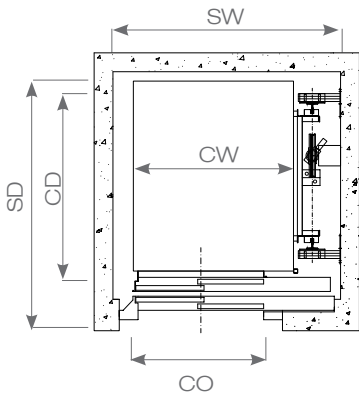
### Drawing of landing



SW: SHAFT WIDTH  
SD: SHAFT DEPTH  
CW: CAR WIDTH  
CD: CAR DEPTH  
CO: CAR OPENING

Q (kg)	SW	SD	CW	CD	CO
180	1100	1100	800	900	700
225	1300	1100	1000	900	700
300	1300	1400	1000	1200	800
350	1400	1400	1100	1200	900
385	1450	1600	1100	1400	900
400	1400	1650	1100	1450	900
450	1580	1670	1200	1500	900
500	1580	1770	1200	1600	900

### Drawing of landing



SW: SHAFT WIDTH  
SD: SHAFT DEPTH  
CW: CAR WIDTH  
CD: CAR DEPTH  
CO: CAR OPENING

Q (kg)	SW	SD	CW	CD	CO
180 <sup>(3)</sup>	1150	1150	800	900	700
225	1250	1250	900	1000	700
300	1400	1450	1000	1200	800
350	1400	1450	1100	1200	800
385	1550	1650	1100	1400	900
400	1480	1670	1100	1450	800
450	1580	1720	1200	1500	900
500	1580	1820	1200	1600	900

Sizes with door in car  
<sup>(3)</sup> Door with 3 panels

## Cabinets



We have a preassembled TECONASA KIT, which is a complete cabinet + main unit + electrical panel, already assembled, pre-wired, and tested from the factory. This makes commissioning easier ( Plug & Play)

Cabinet model	Width (mm)	Depth (mm)	Height (mm)
KIT TECONASA	700	400	1300
AH-TIPO 3	700	400	1306

## Single-phase (0,30 – 0,40 m/s)

In order to satisfy specific demands, such as domestic single-phase 0,30 m/s., we already develop a solution through electrical panels which include a frequency converter, which transforms the single-phase voltage into 3-phase power for the central motor.

At the same time, the entire motor unit control is performed during the upward movement, managing to reduce the starting consumption and regulate the acceleration and deceleration ramps in an optimal way.



The lowering movement is done through 2 speed valves with a Blain cushioned stop.

Finally, we add a double safety valve, consistent in additional lowering valve connected to the final hydraulic central circuit.

With this combination we get a great comfort both uphill and downhill. Depending on the load and the travel we can use 3, 4,5,5 ó 6,5 HP motors.



## Electrical traction

It involves a Domestic lift from the Machinery Directive 2006/95 with electrical traction straps.

We have designed a domestic lift similar to a passenger lift with Security and decorative component: full car, doors, buttons and displays.

Highlighting their speed control by a frequency inverter ( VVVF ) to achieve the highest comfort during the travel and his low consumption.

### • Technical characteristics:

<b>Nominal speed</b>	0,15 m/s
<b>Nominal load</b>	up to 800 kg
<b>Output</b>	2.2 kW
<b>Minimum headroom</b>	2.500 mm.
<b>Minimum pit</b>	100 mm.
<b>Travel</b>	12 m.

### • Other characteristics:

- Domestic without machine room.
- Electrical traction drive operated by a geared motor
- Direct transmission by means of 2 toothed belts.
- Without counterweight.
- New mechanical configuration with car and car frame integrated.
- Car with decorative removable panels.
- The necessary space equal to a hydraulic lift.