



Symbio *gearless*

We have equipped it with a gearless machine to guarantee supreme energy efficiency. The optimisation of the MRL Symbio design has enhanced the lift's comfort and safety.

- **Advantages**

Space optimisation: no machine room required.

Environmentally-friendly: lower power consumption with a gearless machine. Plus, it needs no oil and does not create unnecessary noise.

Single-phase: possibility of connection to a singlephase plug.

Easy maintenance: the machine has a long life cycle and repairs are virtually unnecessary.

Comfort: it features a portico car frame with 2:1 suspension that guarantees a top quality ride during the trip.



- **Single-phase plug 220V.**

Q (Kg)	Rated speed recommended (m/s)	Travel máx. (m)
320	up to 0,8	30
450	up to 0,6	30
630	up to 0,3	30

• Technical characteristics:

Nominal speed	1 m/s 3VF up to 1,6 m/s
Nominal load	up to 2.500 kg
Cable	6,5 / 8 mm. (> 1.250 kg)
Suspension	2:1
Standard headroom	3.700 mm.
Standard pit	1.200 mm.
Travel	up to 100 m.
Control unit	Installed in door frame*

*Automatic doors 120 mm.

Q (kg)	LOW PIT COMPENSATORY MEASURES		LOW HEAD COMPENSATORY MEASURES	
	Low Pit (mm)	Required headroom (mm)	Required pit depth (mm)	Low Head (mm)
180-450	265	3285	590	2500
630	265	3285	645	2600
1000	650	3210	645	2600
1250	650	3330	650	3330
1600	650	3330	650	3330
2000	1020	3700	1020	3700
2500	1020	3700	1020	3700

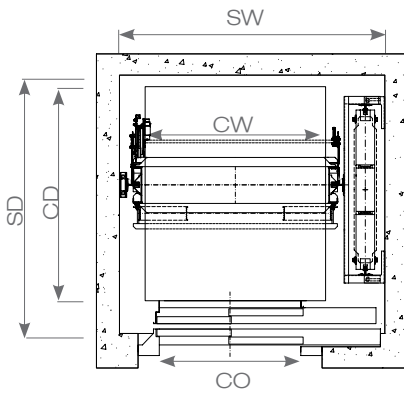
Q (kg)	LOW PIT EN81-21		LOW HEAD EN81-21	
	Low Pit (mm)	Required headroom (mm)	Required pit depth (mm)	Low Head (mm)
180-450	430	3285	640	2500
630	430	3285	695	2600
1000	700	3210	700	3210
1250	700	3330	700	3330
1600	700	3330	700	3330
2000	1020	3700	1020	3700
2500	1020	3700	1020	3700

• Without machine room (WMR)



Also available with MACHINE ROOM.

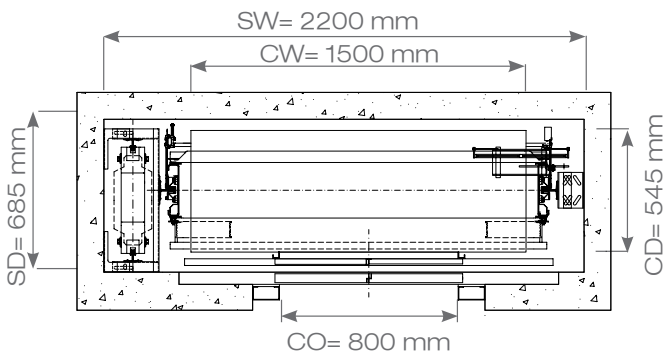
Drawing of landing



SW: SHAFT WIDTH
SD: SHAFT DEPTH
CW: CAR WIDTH
CD: CAR DEPTH
CO: CAR OPENING

Q (kg)	SW	SD	CW	CD	CO
180	1310	960	750	750	700
225	1310	1100	750	870	700
320	1400	1300	900	1000	700
450	1500	1460	1020	1210	800
630	1600	1660	1120	1410	800
800	1930	1750	1300	1500	900
1000	1730	2350	1100	2100	900
1125	2000	2350	1250	2100	1000
1250	2050	2350	1300	2100	1000
1600	2250	2500	1500	2250	1200
2000	2150	3050	1500	2700	1300
2500	2550	3050	1800	2700	1600

• Minimum standard Shaft



• Minimum Headroom (2400 mm)

